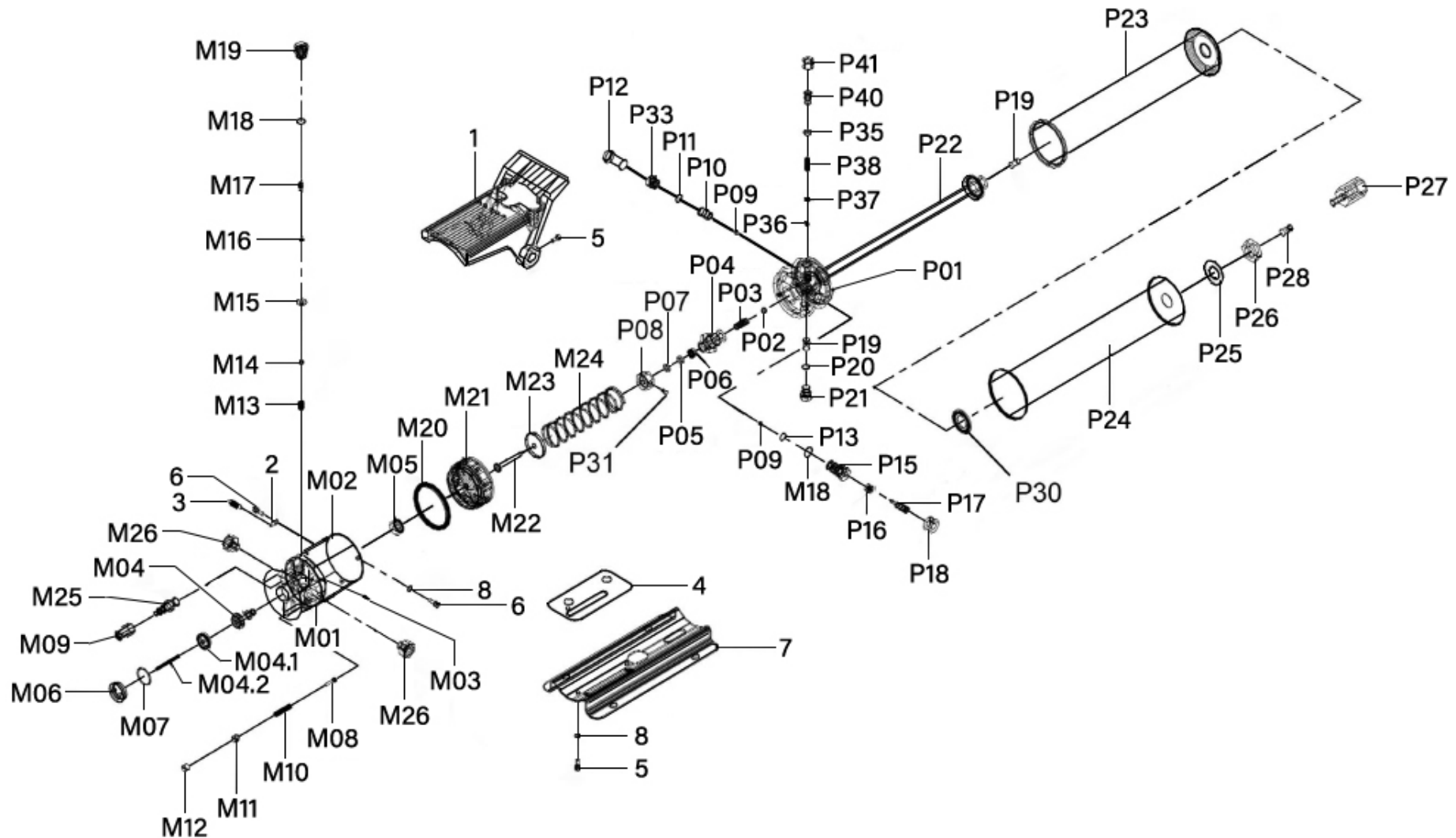




Parts Information:
Air Hydraulic Pump 10 Tonne with Hose
Model No: RE83/840/CWH.V2



NOTE: It is our policy to continually improve products and as such we reserve the right to alter data, specifications and component parts without prior notice.

There may be alternative versions of this product, please contact us should you require this information.

IMPORTANT: No liability is accepted for incorrect use of product. Spare parts must be fitted by a competent person

WARRANTY: Guarantee is 12 months from purchase date, proof of which will be required for any claim.

Sealey Group, Kempson Way, Suffolk Business Park, Bury St Edmunds, Suffolk. IP32 7AR



01284 757500



sales@sealey.co.uk



www.sealey.co.uk



Parts Information: Air Hydraulic Pump 10 Tonne with Hose Model No: RE83/840/CWH.V2

Item	Part No.	Description
1	840.V2-01	Treadle
2	840.V2-02	Spring Hook Washer
3	840.V2-03	Spring Dia 6.6mm
4	840.V2-04	Gasket
5	SCB516.SB	Socket Cap Bolt M5 x 16mm Black
6	SCB512.SB	Socket Cap Bolt M5 x 12mm Black
7	840.V2-07	Base
8	840.V2-08	M5 Int Tooth Washer Zinc
M01	840.V2-M01	Motor Body
M02	840.V2-M02	Sleeve For Motor Body
M03	840.V2-M03	Pin
M04	840.V2-M04	Valve Stem
M04.1	840.V2-M04A	Seal Cap
M04.2	840.V2-M04B	Spring Dia 4.45mm
M05	840.V2-M05	Seal Cap
M06	840.V2-M06	Exhaust Plug
M07	840.V2-M07	O-Ring, (Ex: 22.66 In: 18.23 Cs: 2.22)
M08	840.V2-M08	Stem
M09	840.V2-M09	Plastic Cover For Coupling
M10	840.V2-M10	Spring Dia 8.5mm
M11	840.V2-M11	Screw
M12	840.V2-M12	Plug
M13	840.V2-M13	Spring 8mm
M14	SB-7.2	Steel Ball 7.2mm
M15	840.V2-M15	Washer Rubber M6 x 14
M16	SA401.03	O-Ring, (Ex: 6.46 In: 2.90 Cs: 1.78)
M17	840.V2-M17	Stem
M18	840.V2-M18	O-Ring, (Ex: 15.98 In: 12.42 Cs: 1.78)
M19	840.V2-M19	Plug
M20	840.V2-M20	Piston Ring
M21	840.V2-M21	Piston
M22	840.V2-M22	Plunger
M23	840.V2-M23	Cap washer m7x36
M24	840.V2-M24	Spring Dia 33.6mm
M25	840.V2-M25	Coupling
M26	840.V2-M26	Silencer Bolt
P01	840.V2-P01	Pump base

Item	Part No.	Description
P02	SB-8.0	Steel Ball 8.0mm
P03	840.V2-P03	Spring
P04	840.V2-P04	Pump cylinder
P05	840.V2-P05	Packing
P06	840.V2-P06	Seal Ring 5mm ID
P07	840.V2-P07	Washer Brass Thick
P08	840.V2-P08	Nut
P09	SB-5.5	Steel Ball 5.5mm
P10	840.V2-P10	Spring Conical
P11	DH03.V2-39	O-ring, (Ex: 12.81 In: 9.25 Cs: 1.78)
P12	840.V2-P12	Check Valve
P13	SA57.32	O-Ring, (Ex: 12.29 In: 8.73 Cs: 1.78)
P15	840.V2-P15	Release Valve
P16	840.V2-P16	Spring Conical
P17	840.V2-P17	Release Retainer
P18	840.V2-P18	Ring
P19	840.V2-P19	Filter
P20	840.V2-P20	Seal Ring 9mm ID
P21	840.V2-P21	Screw
P22	840.V2-P22	Hydraulic Hose
P23	840.V2-P23	Oil Reservoir
P24	840.V2-P24	Reservoir
P25	FWM18.S	Flat Washer M18 Zinc
P26	840.V2-P26	3/4 unf half Nut Black
P27	840.V2-P27	Adaptor
P28	840.V2-P28	Screw
P30	840.V2-P30	Washer Nylon M18
P31	GSM55.S	Grub Screw M5x5 (Single)
P33	840.V2-P33	Bolt Check Valve
P35	RE231.V3-P36	O-Ring, (Ex: 11.26 In: 6.02 Cs: 2.62)
P36	SB-4.7	Steel Ball 4.7mm
P37	840.V2-P37	Safety Valve
P38	840.V2-P38	Safety Spring 7.8mm
P40	840.V2-P40	Screw Safety Valve
P41	840.V2-P41	Plastic Cap
--	840.V2-RK	Repair Kit (Not Shown)
--	RE97.10-03	Hose Assembly (Not Shown)

NOTE: It is our policy to continually improve products and as such we reserve the right to alter data, specifications and component parts without prior notice. There may be alternative versions of this product, please contact us should you require this information.

IMPORTANT: No liability is accepted for incorrect use of product. Spare parts must be fitted by a competent person

WARRANTY: Guarantee is 12 months from purchase date, proof of which will be required for any claim.

Sealey Group, Kempson Way, Suffolk Business Park, Bury St Edmunds, Suffolk. IP32 7AR



01284 757500



sales@sealey.co.uk



www.sealey.co.uk